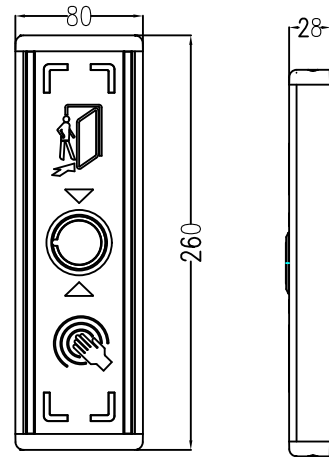


ES-80 Exit button Installation Manual

※ Features

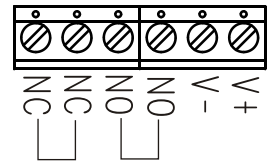
1. Obvious indicators around the edges of the unit.
2. Activate without pressing to prevent any disease contagion. It is suitable for access control system that widely used in public areas such as hospitals or restaurants.
3. Built-in buzzer .
4. Input power range from DC12-24V
5. Easy to assemble, 2 set of output points to connect other equipment.



※ Specifications

Item	Model	ES-80	Note
Power supply		DC 12V~DC 24V	± 5%
Operation current		DC 12V/30mA(Standby)/45mA(Operation)	± 5%
		DC 24V/20mA(Standby)/30mA(Operation)	± 5%
Buzzer		Enable/Disable	
Indicator		Dual-color (Blue and green) .	
Output		N.O.&N.O. / N.C.&N.C. (Maximum load of 1A@30VDC / 0.3A@125VAC)	
Weight		600g	
Dimensions		90mm(L)x93mm(W)x45mm(H)	
Material		PC& Aluminum	

※ Indicator&Output



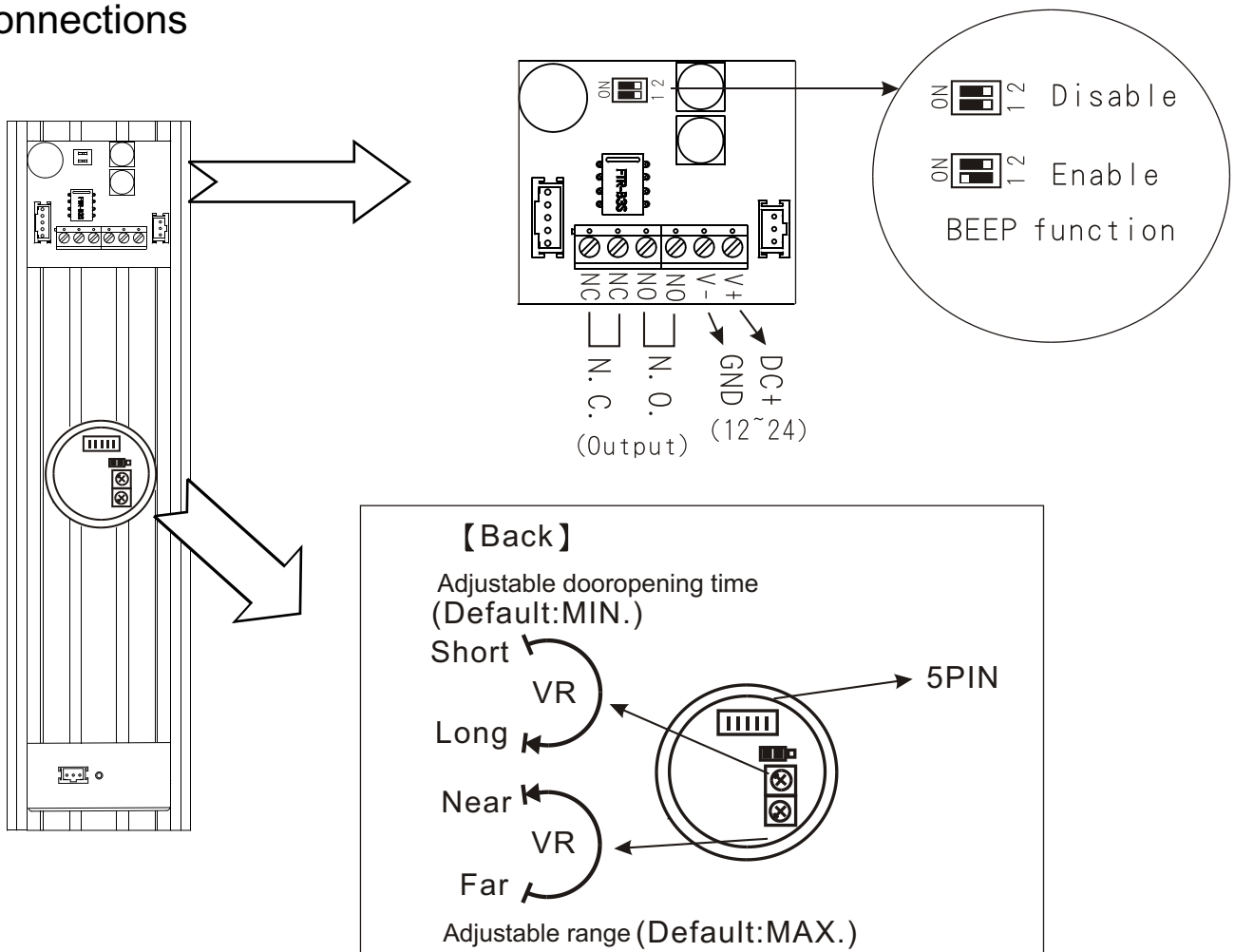
Standby

Blue LED &
N. C. output

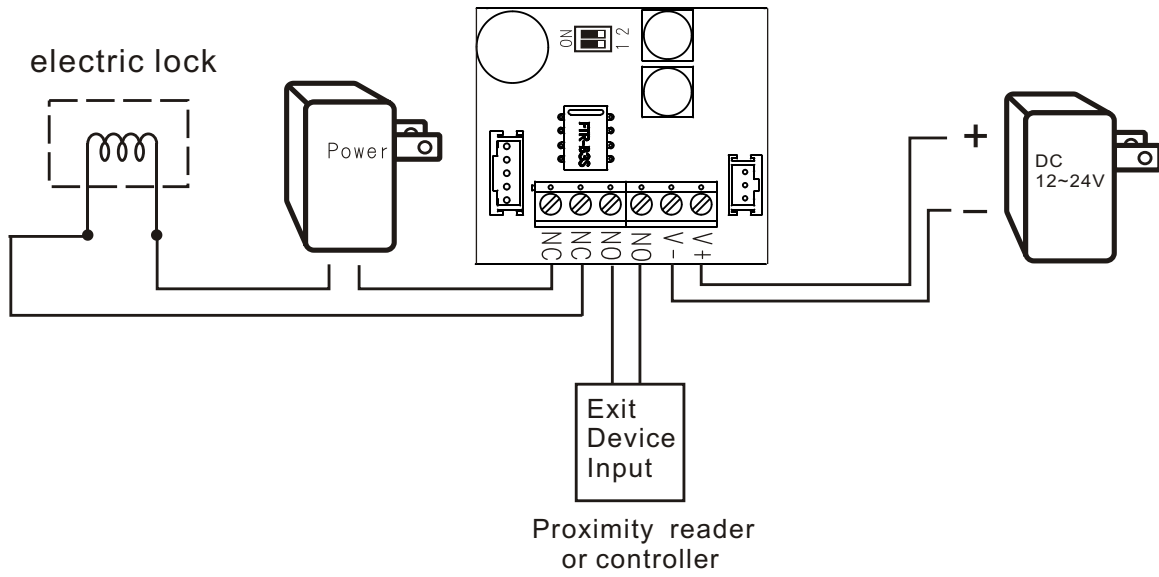
Active

Green LED &
N. O. output

※ Connections



※ Example of wirings



※ Installation

