



# Extended Wall Mount Door Holder

## Model:YD-602

### Basic Instruction

Dual Voltage Selectable(12VDC or 24VDC)  
Emergency Release Button/Test Button  
Wall Mounting Direction

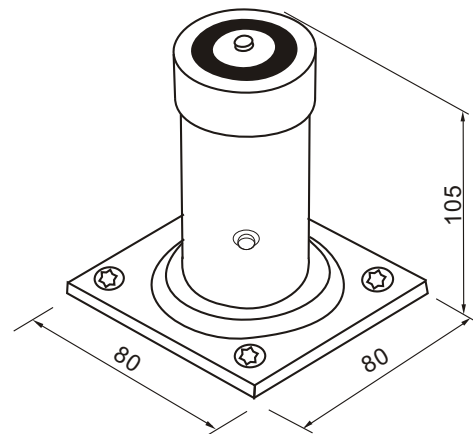
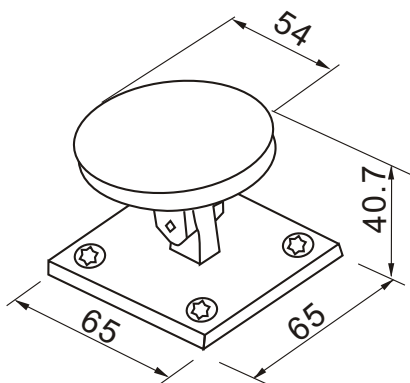
Low Current Consumption  
Reliable Fail-Safe Mechanism  
Durable and Silence Operation

### Specifications

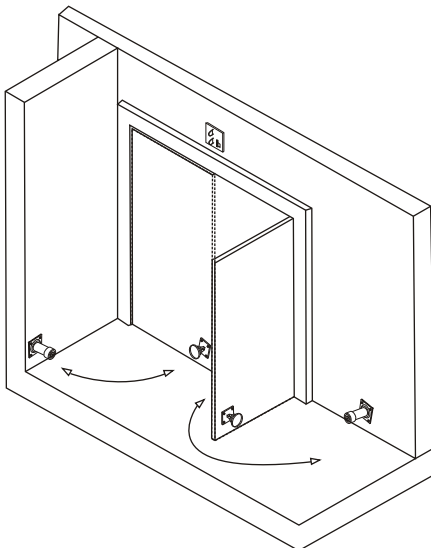
- Size: 80Lx80Wx105H(mm)
- Voltage: 12/24VDC+10%(Adjustment)
- Current Draw: 12V/140mA 24V/70mA
- Optional: Manual door release button
- Surface Temp:  $\leq +20^{\circ}\text{C}$
- Operating Temp:  $-10\sim+55^{\circ}\text{C}$ (14-131F)
- Weight: 1.0kg

- Holding Force: 50kg(110Lbs)
- Suitable for: All Kinds of Single  
Double Smokeproof Doors
- Suitable Humidity: 0~95%
- Finishes for Shell: High Temperature Paint  
Environmental Protection Zinc
- Finishes for Armature: Zinc

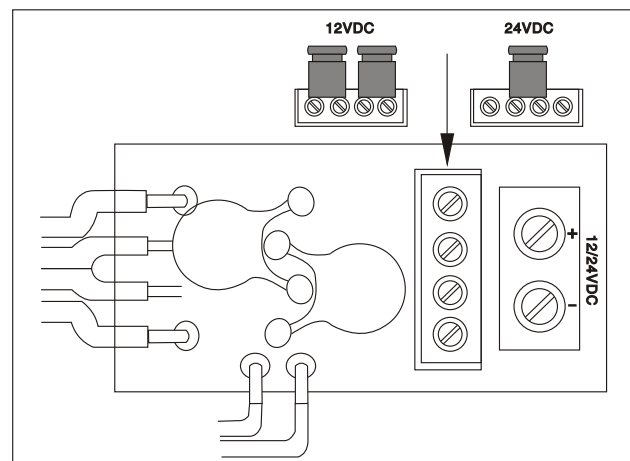
### Dimension



### Installation



Installation



Wiring Instructions